

Technical data sheet

Product features



Cooking range solid top gas s troubou

Model	SAP Code	00020645
--------------	-----------------	----------



- Device type: Gas unit
- Power consumption of the zone 1 [kW]: 8,5
- Power consumption of the zone 2 [kW]: 6,6
- Power consumption of the zone 3 [kW]: 4
- Ignition: Piezo + Eternal Flame
- Type of internal part of the appliance 1 (eg oven): Gas
- Type of internal part of the appliance 2 (eg oven): Static
- Material: AISI 304 top plate and cladding

SAP Code	00020645	Number of zones	3
Net Width [mm]	800	Power consumption of the zone 1 [kW]	8,5
Net Depth [mm]	730	Power consumption of the zone 2 [kW]	6,6
Net Height [mm]	900	Power consumption of the zone 3 [kW]	4
Net Weight [kg]	130.40	Type of internal part of the appliance 1 (eg oven)	Gas
Power gas [kW]	25.100	Type of internal part of the appliance 2 (eg oven)	Static
Type of gas	Natural gas, propane butane	Solid top dimensions [mm x mm]	370 x 545

Technical data sheet

Technical drawing

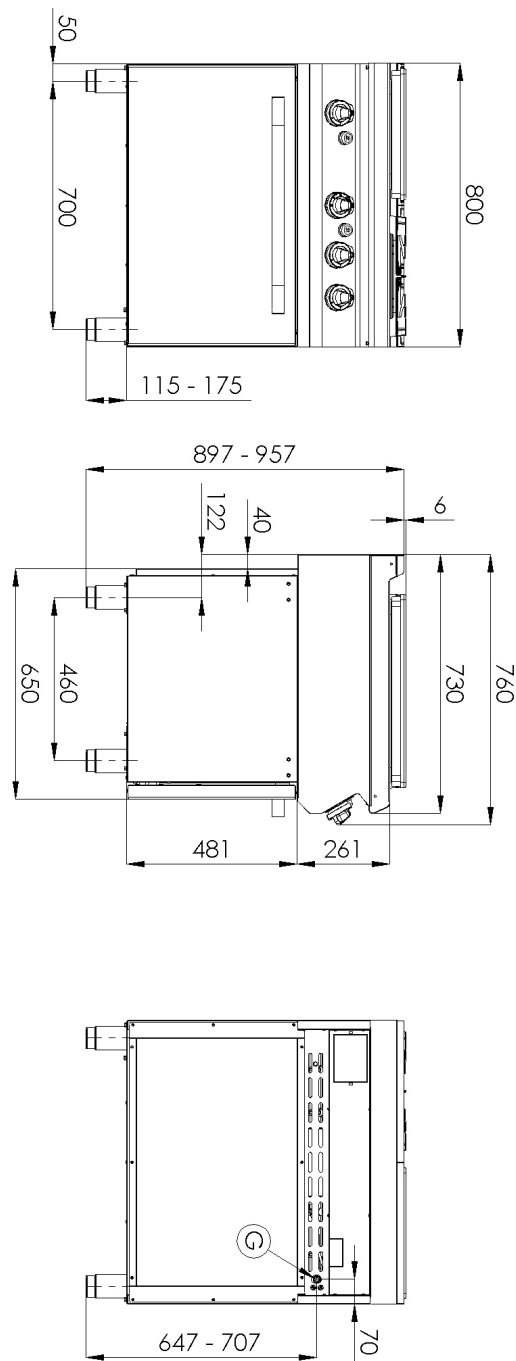


Cooking range solid top gas s troubou

Model

SAP Code

00020645



Technical data sheet

Technical parameters



Cooking range solid top gas s troubou

Model

SAP Code

00020645

1. SAP Code:

00020645

2. Net Width [mm]:

800

3. Net Depth [mm]:

730

4. Net Height [mm]:

900

5. Net Weight [kg]:

130.40

6. Gross Width [mm]:

840

7. Gross depth [mm]:

800

8. Gross Height [mm]:

1080

9. Gross Weight [kg]:

140.50

10. Device type:

Gas unit

11. Construction type of device:

Stationary

12. Power gas [kW]:

25.100

13. Ignition:

Piezo + Eternal Flame

14. Type of gas:

Natural gas, propane butane

15. Exterior color of the device:

Stainless steel

16. Material:

AISI 304 top plate and cladding

17. Worktop type:

Molded - comfortable cleaning maintenance

18. Worktop material:

AISI 304

19. Worktop Thickness [mm]:

1.50

20. Number of zones:

3

21. Power consumption of the zone 1 [kW]:

8,5

22. Power consumption of the zone 2 [kW]:

6,6

23. Power consumption of the zone 3 [kW]:

4

24. Grid material:

Cast iron

25. Service accessibility:

Trough the frontal panel

26. Safety thermocouple:

Yes

27. Adjustable feet:

Yes

28. Number of burners/hot plates:

3

Technical data sheet

Technical parameters



Cooking range solid top gas s troubou

Model

SAP Code

00020645

29. Type of gas cooking zones:

Fire protection to install + Classic burners

30. Burner type:

Brass, detachable

31. Oven Type:

gas static

32. Oven power gas [kW]:

6.00

33. Oven size:

GN 2/1

34. Type of internal part of the appliance 1 (eg oven):

Gas

35. Type of internal part of the appliance 2 (eg oven):

Static

36. Gasket:

Yes

37. Solid top thickness [mm]:

30

38. Solid top dimensions [mm x mm]:

370 x 545

39. Solid top ignition:

Piezo + Eternal Flame

40. Connection to a ball valve:

1/2